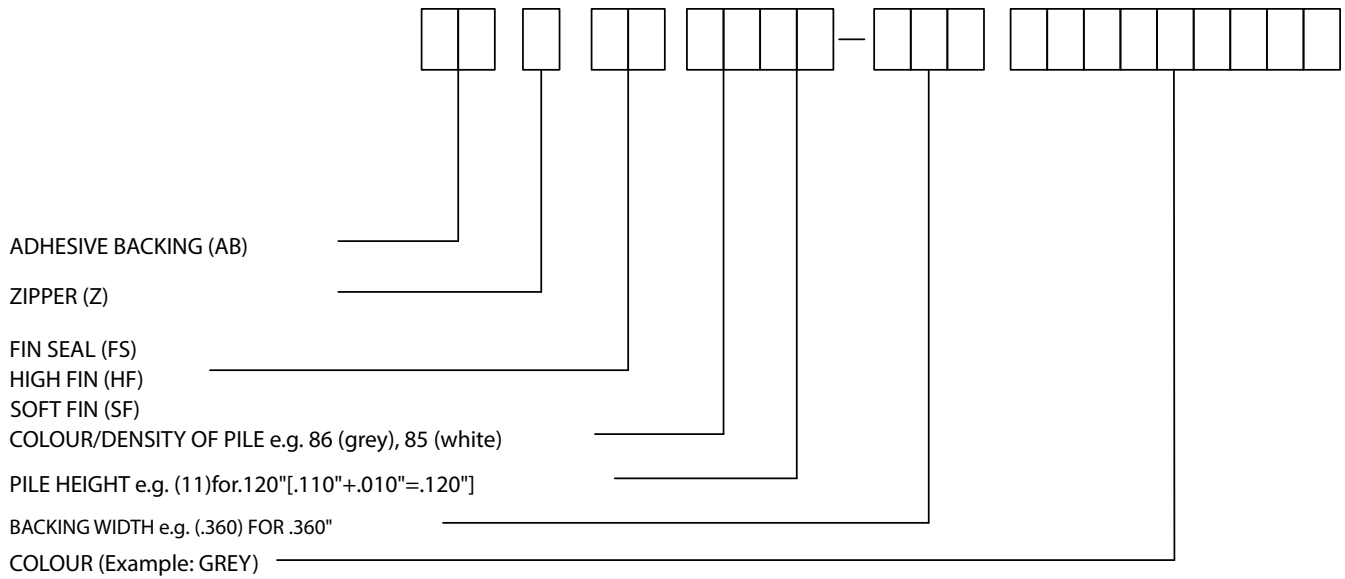
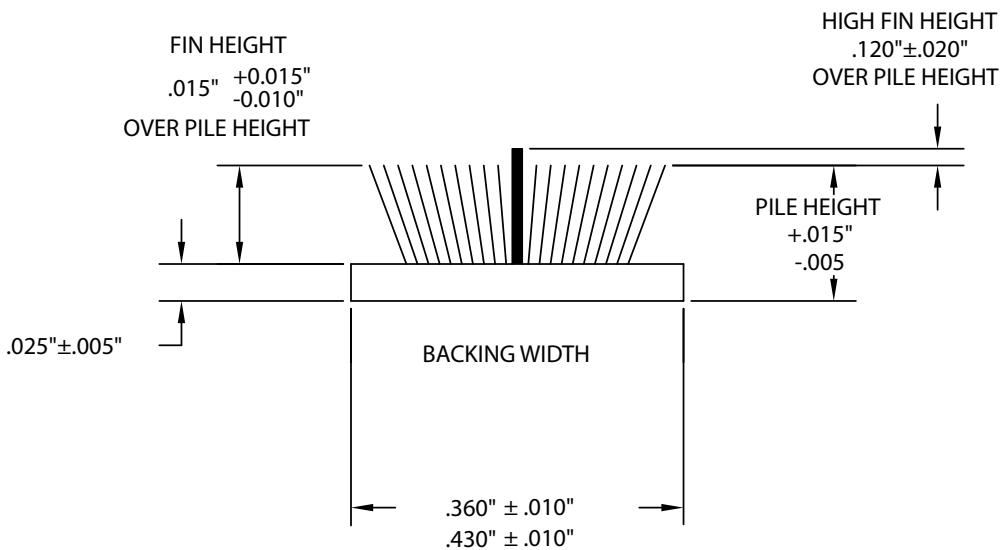


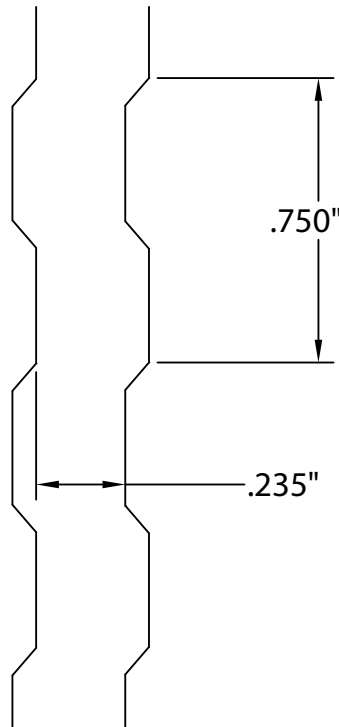
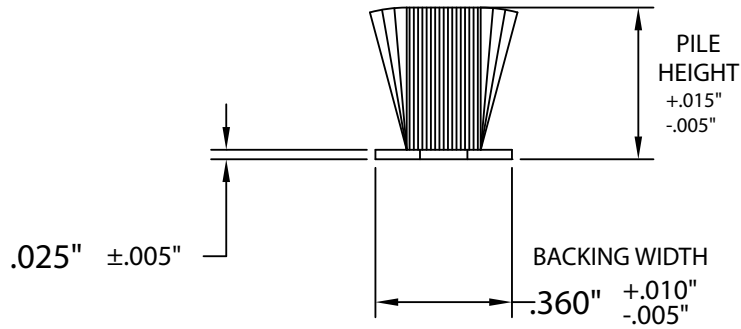
PRO-FIN WEATHERSTRIPPING



Pile heights from .10" to .50"
 Recommended compression: 10 – 20%



PRO-FIN WEATHERSTRIPPING



Actual Size

.360" Zipper Pile

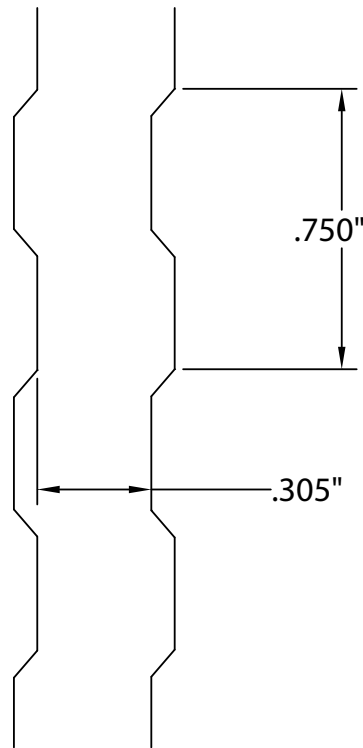
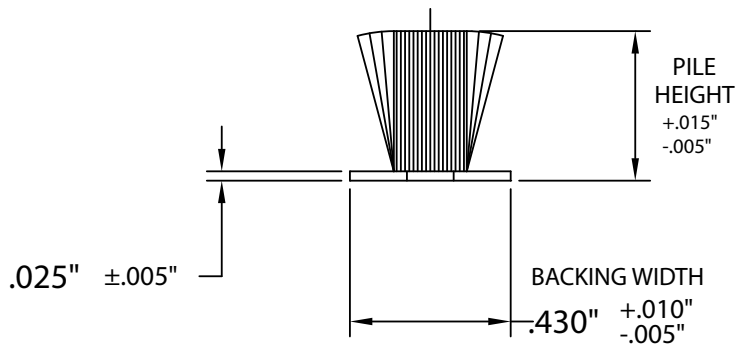
RETROFIT WEATHER SEALS FOR WINDOWS AND DOORS

Use on:

- Residential homes
- Real estate management
- Military bases
- Universities
- Hotels

See last page of this document for details.

PRO-FIN WEATHERSTRIPPING



Actual Size

.430" Zipper Pile

RETROFIT WEATHER SEALS FOR WINDOWS AND DOORS

Use on:

- Residential homes
- Real estate management
- Military bases
- Universities
- Hotels

See last page of this document for details.



RETROFIT WEATHER SEALS FOR WINDOWS AND DOORS

REDUCE AIR, WATER, NOISE, DUST, MOLD & INSECTS

Easy Insert Zipperpile

- 4 widths cover all residential and commercial applications
- Pile heights ranging from 1/8" to 1/2", multiple colors
- Use in Aluminum, Wood, Vinyl or Fiberglass
- Application typically 75% faster insertion than traditional pile
- Product will go directly into or around corners
- Zipper construction allows easy insertion even in off size slots

Use on:

- Residential homes
- Real estate management
- Military bases
- Universities
- Hotels

SEALMAX

The Sealmax brand started in 2000; however, we have been manufacturing weatherseal and weatherstripping since 1931. Originally doing business as Schlegel Canada Inc., Sealmax has undergone many changes since then, but one thing remains the same — quality products for windows and doors.

ADDRESS

514 South Service Road East
Oakville, ON L6J 2X6
Telephone 1-866-458-3707
Fax 1-905-845-6558

EMAIL

General Information: info@sealmax.com
Sales: sales@sealmax.com

sealmax.com