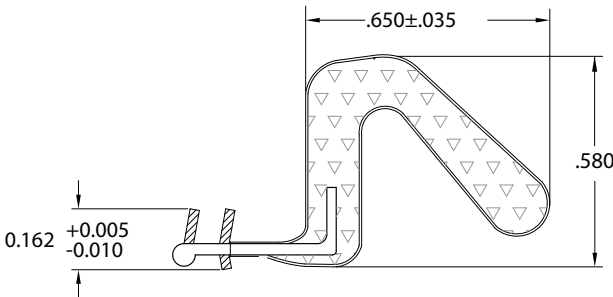
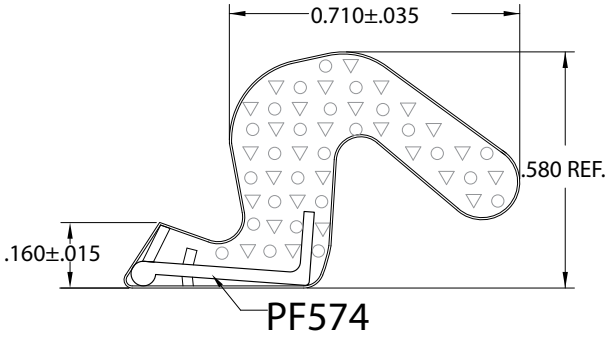


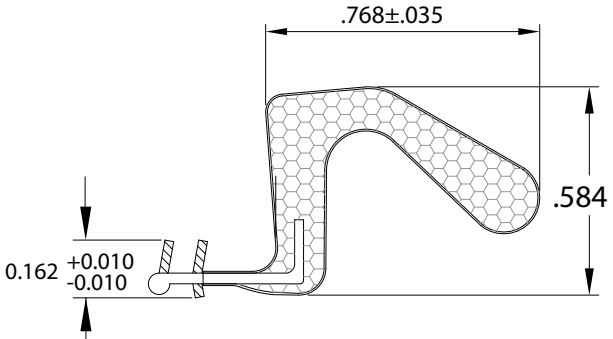
PRO-LON™ DOOR SEALS



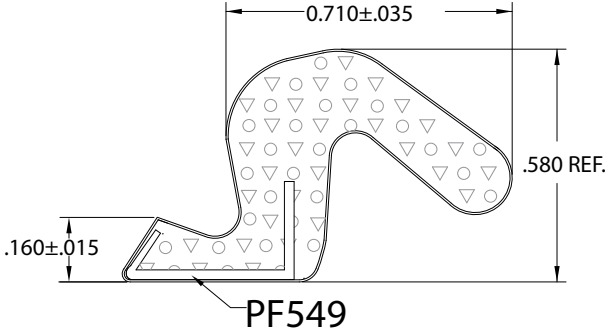
DSKF EB 650



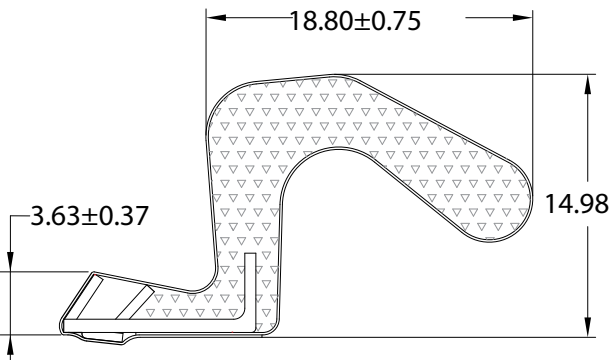
DSKF 783-PF574



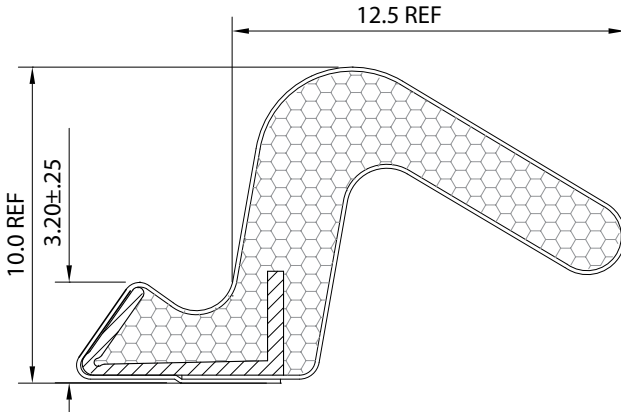
DSKF EB 740



DSKF 783-PF549

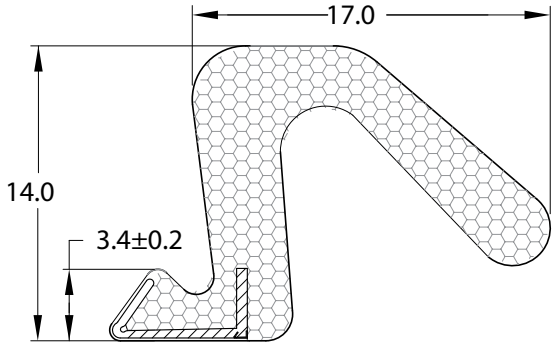


DSKF 730

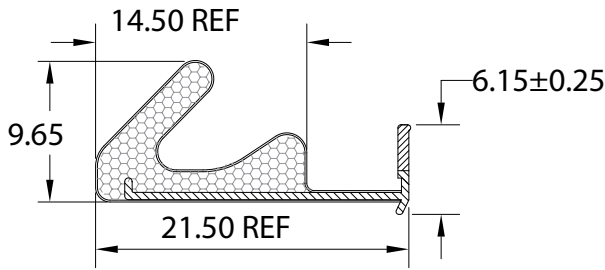


A9

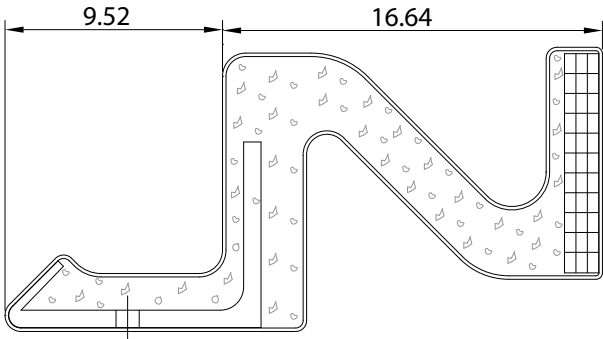
PRO-LON™ DOOR SEALS



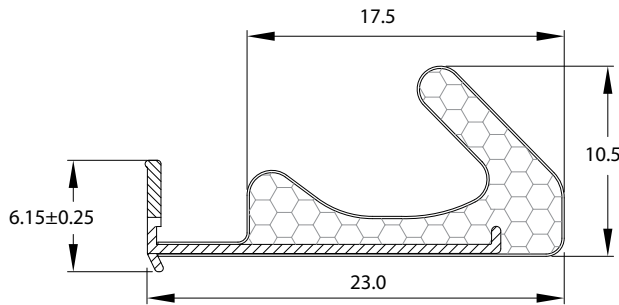
A14



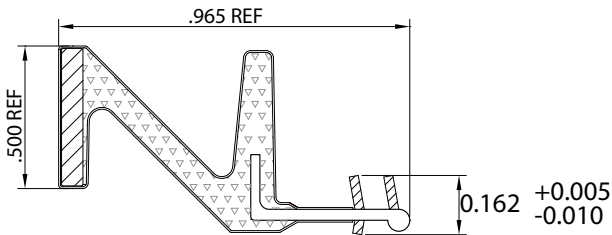
S21



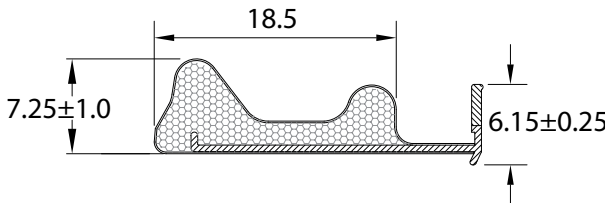
Mag Seal



S22

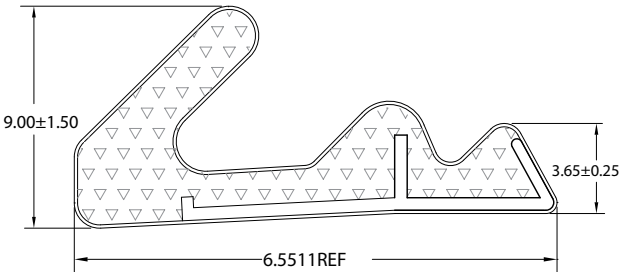


PH2 Mag Seal

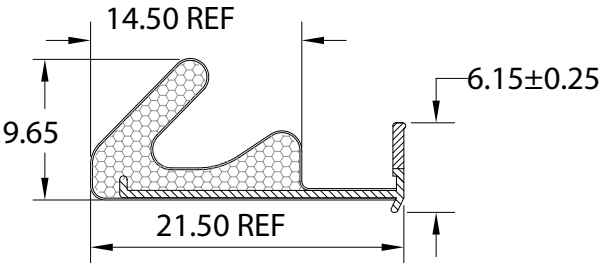


S25

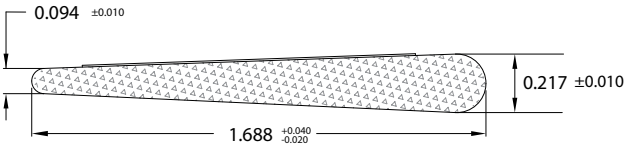
PRO-LON™ DOOR SEALS



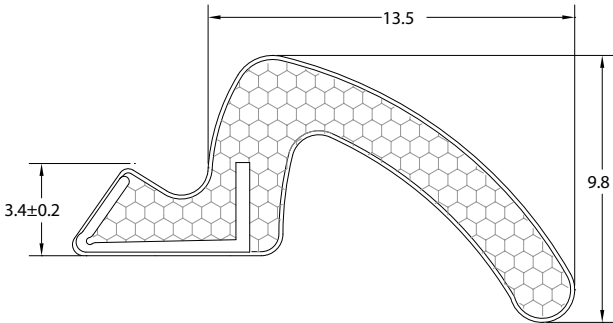
AQ124



S21



Corner Seal – Adhesive Backed



AQ7000



RETROFIT WEATHER SEALS FOR WINDOWS AND DOORS

REDUCE AIR, WATER, NOISE, DUST, MOLD & INSECTS

Easy Insert Foam Profiles

– Solutions for all doors with Kerf slots

Use on:

- Residential homes
- Real estate management
- Military bases
- Universities
- Hotels

SEALMAX

The Sealmax brand started in 2000; however, we have been manufacturing weatherseal and weatherstripping since 1931. Originally doing business as Schlegel Canada Inc., Sealmax has undergone many changes since then, but one thing remains the same — quality products for windows and doors.

ADDRESS

514 South Service Road East
Oakville, ON L6J 2X6
Telephone 1-866-458-3707
Fax 1-905-845-6558

EMAIL

General Information: info@sealmax.com
Sales: sales@sealmax.com

sealmax.com